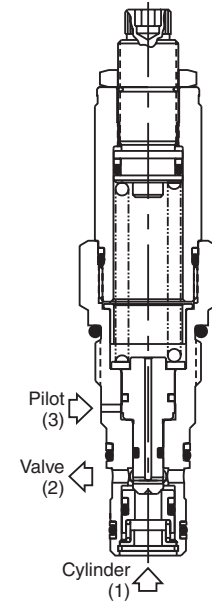
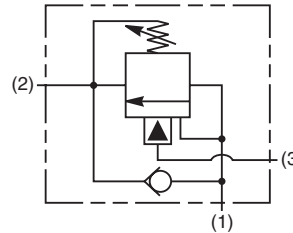
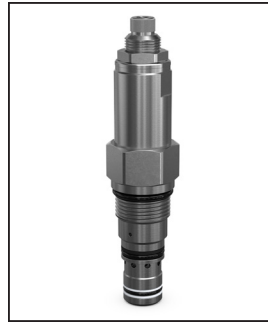


### General Description

Cartridge Style Counterbalance Valve.  
 For additional information see Technical Tips on pages LM2-LM5.

### Features

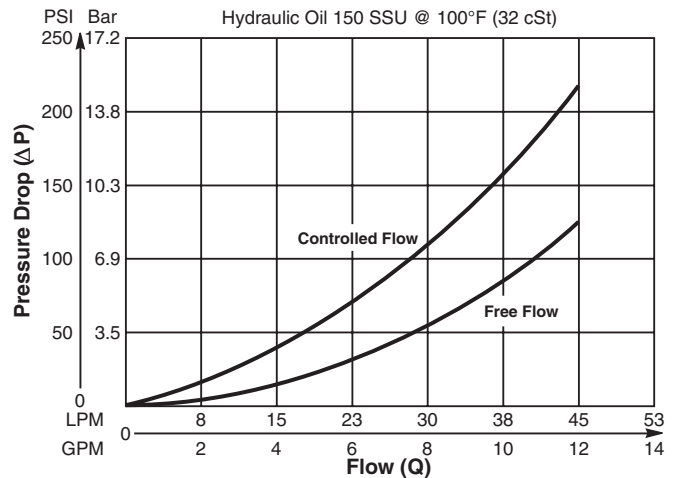
- Sealed spool type design for improved stability and accuracy as well as low leakage
- Low leakage poppet-type check valve for reliable load holding
- All external parts zinc plated
- Parker cartridge design for ease of installation and maintenance
- Compact size for reduced space requirements



### Specifications

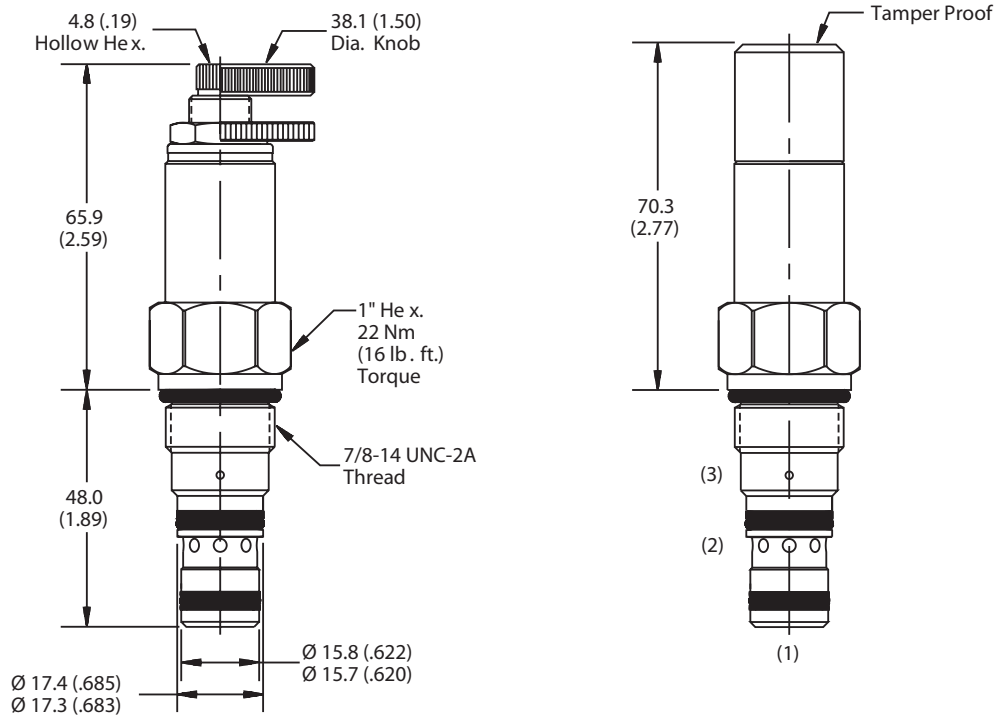
Rated Flow	45 LPM (12 GPM)
Maximum Inlet Pressure	380 Bar (5500 PSI) - Steel 210 Bar (3000 PSI) - Aluminium
Maximum Setting Pressure	350 Bar (5000 PSI) - Steel 210 Bar (3000 PSI) - Aluminium
Leakage at 150 SSU (32 cSt)	5 drops/min. (0.33 cc/min) @ 80% of thermal crack pressure
Cartridge Material	All parts steel. All operating parts hardened steel.
Operating Temp. Range/Seals	-34°C to +121°C (Nitrile) (-30°F to +250°F) -26°C to +204°C (Fluorocarbon) (-15°F to +400°F)
Fluid Compatibility/Viscosity	Mineral-based or synthetic with lubricating properties at viscosities of 45 to 2000 SSU (6 to 420 cSt)
Filtration	ISO-4406 18/16/13, SAE Class 4
Approx. Weight	0.23 kg (0.5 lbs.)
Cavity	C10-3 (See BC Section for more details)

### Performance Curve Flow vs. Pressure Drop (Through cartridge only)



CV
Check Valves
SH
Shuttle Valves
LM
Load/Motor Controls
FC
Flow Controls
PC
Pressure Controls
LE
Logic Elements
DC
Directional Controls
SV
Solenoid Valves
PV
Proportional Valves
CE
Coils & Electronics
BC
Bodies & Cavities
TD
Technical Data

**Dimensions** Millimeters (Inches)



**Ordering Information**

<b>CB101</b>		<b>S</b>	
Counterbalance Cartridge Valve	Pilot Ratio	Adjustment Style	Pressure Range

**Highlighted** represents preferred options that offer the shortest lead times. Other options may be available, but at extended lead times.

Code	Pilot Ratio
A	3 : 1
B	4.5 : 1
C	7 : 1

Code	Adjustment Style
S	Screw Adjust

Code	Pressure Range
<b>10</b>	<b>34.5 to 103.4 Bar (500 to 1500 PSI)</b> Standard Setting: <b>69 Bar (1000 PSI) @ 11.3 LPM (3 GPM)</b>
20	69 to 172.4 Bar (1000 to 2500 PSI) Standard Setting: 138 Bar (2000 PSI) @ 11.3 LPM (3 GPM)
<b>30</b>	<b>166 to 350 Bar (2400 to 5000 PSI)</b> Standard Setting: <b>210 Bar (3000 PSI) @ 11.3 LPM (3 GPM)</b>

Code	Seals
Omit	Nitrile

Order Bodies Separately  
 See section BC

<b>B10</b>	—	<b>3</b>	—	<b>8T</b>
10 size		3-Way Cavity		Port Size

Code	Port Size / Body Material
8T	SAE-8 / Steel (5000 PSI)

Kit	Part Number
Knob	717784-10
Tamper Resistant Cap	717785
Nitrile Seal	SK10-3
Fluorocarbon Seal	SK10-3V

<b>CV</b>
Check Valves
<b>SH</b>
Shuttle Valves
<b>LM</b>
Load/Motor Controls
<b>FC</b>
Flow Controls
<b>PC</b>
Pressure Controls
<b>LE</b>
Logic Elements
<b>DC</b>
Directional Controls
<b>SV</b>
Solenoid Valves
<b>PV</b>
Proportional Valves
<b>CE</b>
Coils & Electronics
<b>BC</b>
Bodies & Cavities
<b>TD</b>
Technical Data